

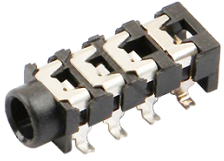
CONNECTORS

Operation: SMT 8PIN/臥式&3.5 音頻插座



LTEM NO.:PJ-313E

(L17.0×W6.1×H5.0mm 3.5-PHONE-JACK)



Technical parameter

PROJECT	LEVEL	A[better product]	B[average product]
	Contact Rating	25mA, 24V DC	
Electrical Properties	Initial Contact Resistance	30mΩ max.	50mΩ max.
	Insulation Resistance	100MΩ min.500V DC	Skey/PD: 100MΩ min.300V DC
	Withstand Voltage	500V AC for 1 minute	350 V AC for 1 minut
Durable Performance	There No Load	6,000 Cycles	5,000 Cycles
	Rated Load	5,000 Cycles	4,000 Cycles
	Storage temp.	-25℃~+75℃(Operating Temp:)	

表面貼裝 SMT

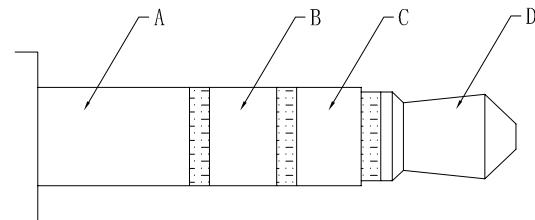
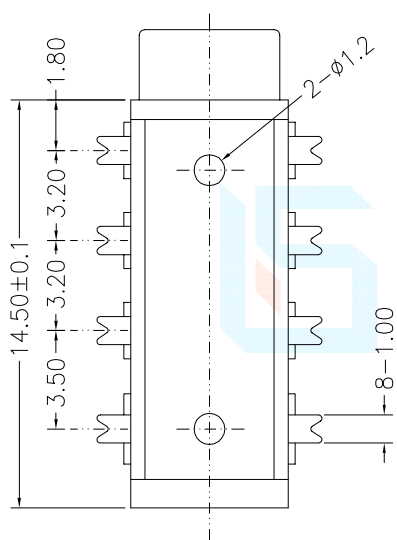
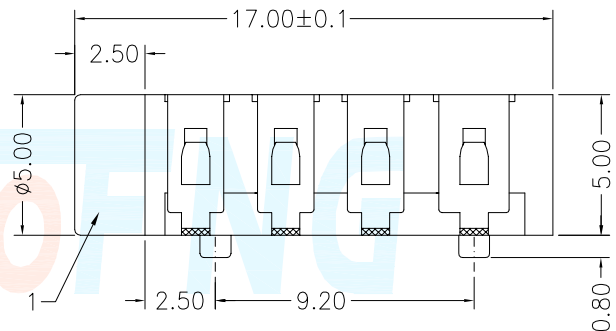
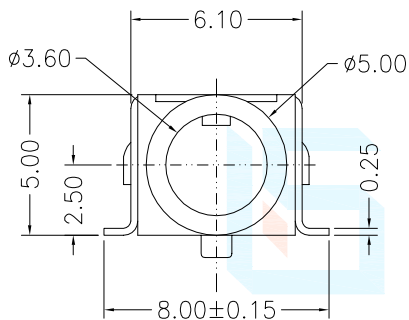
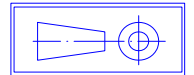
側向導入 LATERAL

精密部品 NICETY

可靠 STABILIZE

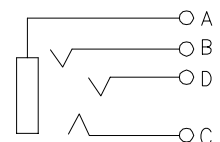
適合環保 RoHS

Unit:mm

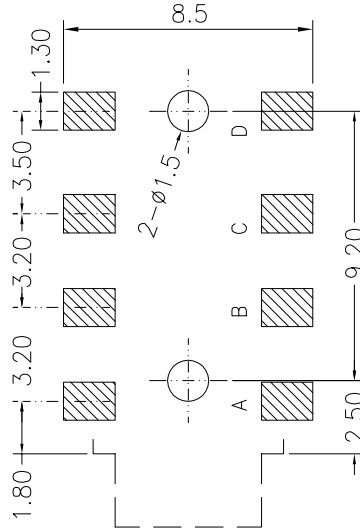


● $\phi 3.5$ MATE PLUG

8POLE PLUG



Operating Force	Inward	5.0~8.0N. (1N.=100gram-force)	Solder-ability (Max.)	IR Reflow: 250°C, 5sec.
	Exiting	5.0~8.0N. (1N.=100gram-force)		Manual: 350°C, 3sec.



DECIMALS	ANGLES
.X :±0.20	X.° :±1.5°
.XX :±0.10	XX.° :±1.0°
.XXX :±0.05	XXX.° :±0.5°

Pin Definition



Material declaration			
No.	NAME	Type	Description
①	接觸端子#1	1	C5191R-H (t=0.25mm) 磷銅[銀基]
②	接觸端子#2	1	C5191R-H (t=0.25mm) 磷銅[銀基]
③	接觸端子#3	1	C5191R-H (t=0.25mm) 磷銅[銀基]
④	接觸端子#4	1	C5191R-H (t=0.25mm) 磷銅[銀基]
⑤	接觸端子#5	1	C5191R-H (t=0.25mm) 磷銅[銀基]
⑥	接觸端子#6	1	C5191R-H (t=0.25mm) 磷銅[銀基]
⑦	接觸端子#7	1	C5191R-H (t=0.25mm) 磷銅[銀基]
⑧	接觸端子#8	1	C5191R-H (t=0.25mm) 磷銅[銀基]
⑨	基座	1	PA6T (Black) 耐热塑胶



注記 NOTICE

1. 碩方公司擁有最終解釋權; The company reserves the right of final interpretation;
2. 文件禁止外洩、轉載; Leaked and reproduced prohibited;
3. 未經授權修改無效。Modify is invalid.

本品不屬於危害性廢棄物,須丟棄時可以委託回收商予以回收再生處理。
Products do not belong to

運送時本產品不要直接與水、酸鹼性化學物質接觸,或放置於含有以上氣體環境中,並且需要注意會有滑落、側翻的危險發生; 運輸過程中不能有碰撞或者擠壓,須保證溫度與濕度適中 [常溫 25°C, 濕度在 50°C 以內], 不可導致材料變形或氧化。

单击下面可查看定价，库存，交付和生命周期等信息

[>>SOFNG\(硕方\)](#)